

SYSTEM COMPONENTS



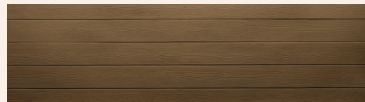
Everest Fibre Cement Board Screws (Self Taping & Self Drilling Screw)

- Used for fixing Everest Fibre Cement Board to Metal
- Corrosion resistance (hours): 1000 hours
- Sizes: 25mm | 35mm

9 | 12mm Thick Everest Fibre Cement Board



Everest Artewood Panel



Everest Stud



EVEREST ARTEWOOD VS ACTUAL WOOD VS HPL

Properties	Everest Artewood	Actual Wood	HPL
Fire Resistant	✓	✗	✗
Termite Resistant	✓	✗	✗
Moisture Resistant	✓	✗	✓
Sustainable	✓	✗	✗
Eco Friendly	✓	✗	✗
Dimensionally Stable	✓	✗	✗



everest
ARTEWOOD | cement wood cladding

Sustainable creations with the elegance of timeless wood.



Moisture Resistant



Weather Resistant



Fire Resistant



Impact Resistant



Termite Proof



White Pine



Dark Walnut



Ebony



Golden Sand



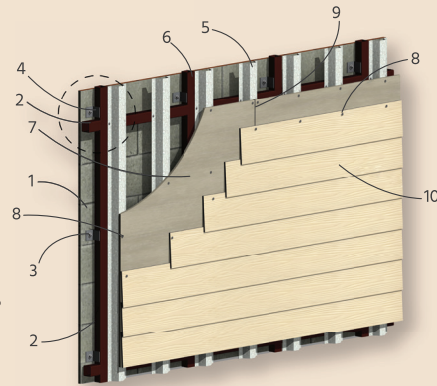
Cocoa Brown



Rosewood

Size: 150mm x 3000mm | Thickness: 8mm

EVEREST ARTEWOOD OVERLAP PATTERN WITH MS FRAME



SYSTEM COMPONENTS

1. Existing Wall
2. MS Frame
3. MS Cleat
4. Nut & Bolt
5. HAT Profile
6. Metal Screw
7. Everest Heavy Duty Board 6/9 mm
8. Everest Screw
9. Everest Jointing Compound
10. Everest Artewood 8 mm



All the elegance of natural wood.
None of the high maintenance.

Rustic Yet Contemporary

Open doors to natural grooves and grains and give your interiors and exteriors a luxurious finish.

In Vogue, Every Season

Built to endure every calamity, Artewood makes the perfect shield especially for exterior applications.

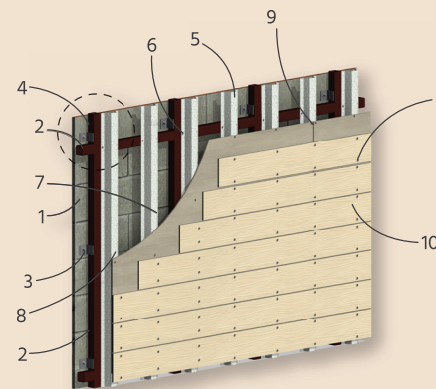
Cuts of Wood, Minus the Wood-cutting

Get the look of wood without harming the environment. Friendly for our planet and your pocket.

Ready-to-touch

With a uniform look and shade, Artewood panels are pre-finished, convenient and faster to install.

EVEREST ARTEWOOD GROOVE PATTERN WITH MS FRAME



SYSTEM COMPONENTS

1. Existing Wall
2. MS Frame
3. MS Cleat
4. Nut & Bolt
5. HAT Profile
6. Metal Screw
7. Everest Heavy Duty Board 6/9 mm
8. Everest Screw
9. Everest Jointing Compound
10. Everest Artewood 8 mm

